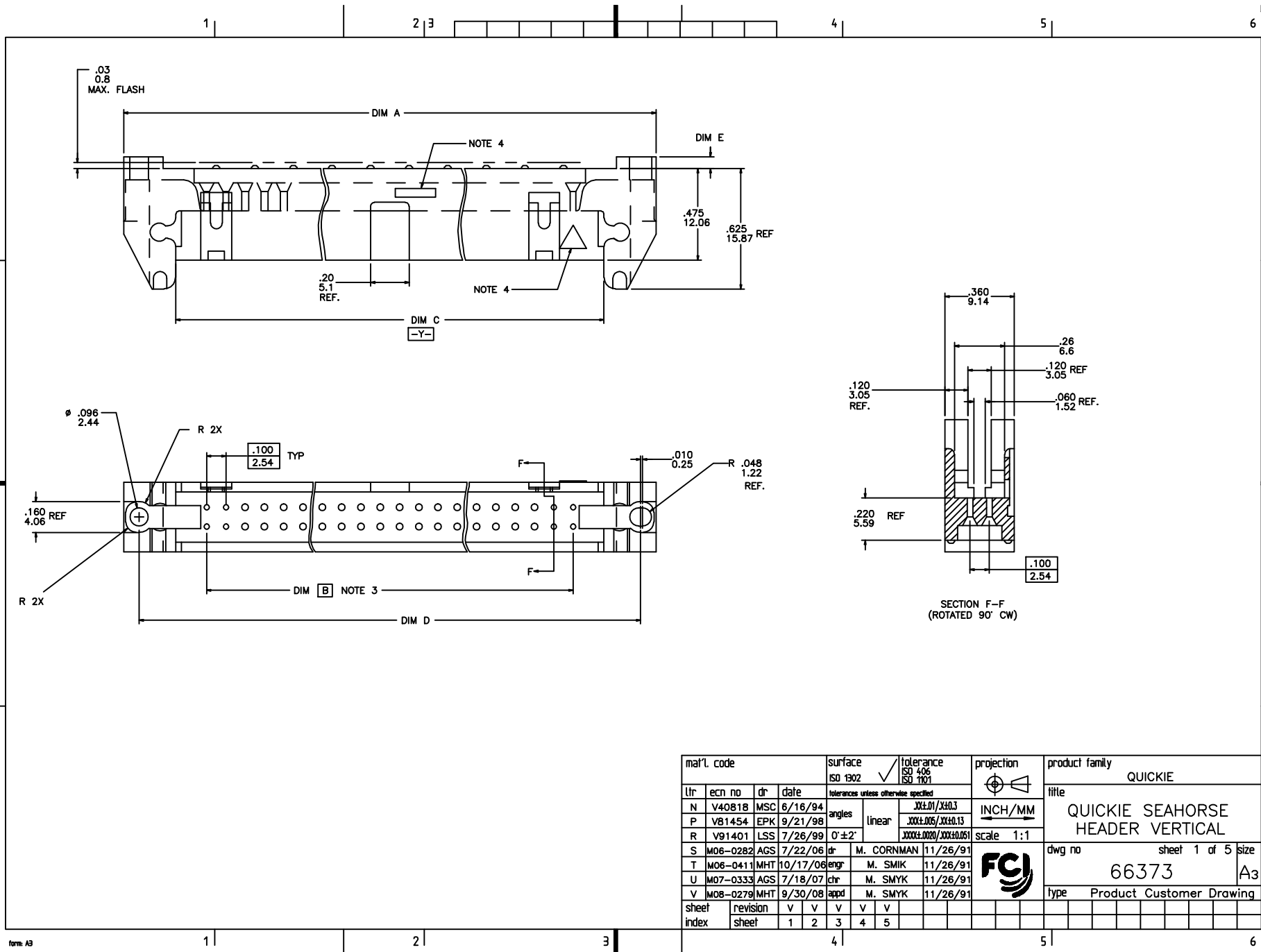


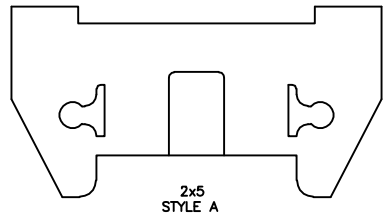


FCJconnect.com

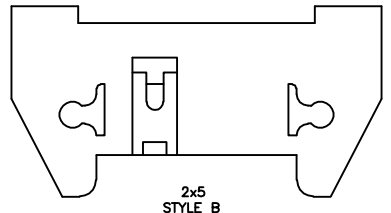
Copyright FCJ



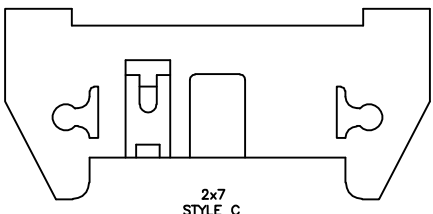
mat'l. code				surface	tolerance	projection	product family
				ISO 1302	ISO 406	ISO 1301	QUICKIE
ltr	ecn no	dr	date	tolerances unless otherwise specified			title
N	V40818	MSC	6/16/94	angles	XXX.X/XXX.3	INCH/MM	QUICKIE SEAHORSE HEADER VERTICAL
P	V81454	EPK	9/21/98	linear	XXX.X/XXX.13		
R	V91401	LSS	7/26/99	0°±2'	XXX.X/XXX.051	scale 1:1	dwg no
S	M08-0282	AGS	7/22/06	dr	M. CORNMAN	11/26/91	sheet 1 of 5
T	M06-0411	MHT	10/17/06	engr	M. SMIK	11/26/91	size
U	M07-0333	AGS	7/18/07	chr	M. SMYK	11/26/91	A3
V	M08-0279	MHT	9/30/08	appd	M. SMYK	11/26/91	type
sheet	revision	V	V	V	V	V	Product Customer Drawing
index	sheet	1	2	3	4	5	



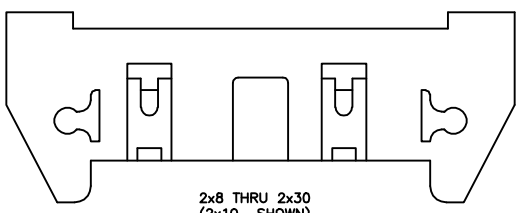
2x5  
STYLE A



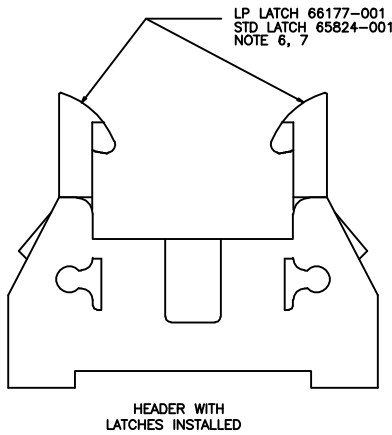
2x5  
STYLE B



2x7  
STYLE C



2x8 THRU 2x30  
(2x10 SHOWN)  
STYLE D



HEADER WITH  
LATCHES INSTALLED

LP LATCH 66177-001  
STD LATCH 65824-001  
NOTE 6, 7

NOTES:

- ① MOLDING MAT'L: 30% GLASS FILLED POLYESTER, FLAME RETARDANT PER UL-94VE-0, COLOR: BLUE. OR MINERAL FILLED LCP FLAME RETARDANT PER UL-94V-0. COLOR: BLACK.
2. 1' MAX DRAFT PERMISSIBLE ON ALL SURFACES UNLESS OTHERWISE SPECIFIED.
- ③ BASIC DIM SHALL BE LOCATED SYMMETRICAL TO DATUM -Y-.
- ④ TRIANGLE, AND DUPONT LOGO LOCATION TO BE OPTIONAL.
5. RECOMMENDED MOUNTING SCREW SIZE: #2-56 FILLISTER HEAD MACHINE SCREW, 1/4" LONG FOR 1/16" AND 3/32" BOARD, 5/16" LONG FOR 1/8" BOARD.
- ⑥ LP LATCHES TO BE USED WITH FEMALE CONNECTOR WITHOUT STRAIN RELIEF, STANDARD LATCHES TO BE USED WITH FEMALE CONNECTOR WITH STRAIN RELIEF.
- ⑦ HIGH TEMPERATURE MOLDING MAT'L : 30% GLASS FILLED PCT - COLOR - BLACK  
ADD AN "H" AT THE END OF THE P/N. THE FOLLOWING LATCHES WILL BE SUBSTITUTED WHEN THE "H" APPEARS AT THE END OF THE P/N.  
65824-007 (STANDARD - HT BLACK)  
66177-004 (LOW PROFILE - HT BLACK)
- ⑧ ADD "LF" SUFFIX AT THE END OF PART NUMBER FOR LEAD FREE OPTION.
9. THE HIGH TEMPERATURE HOUSING WILL WITHSTAND EXPOSURE TO 260°C PEAK TEMPERATURE FOR 15 SECONDS IN A WAVE SOLDER APPLICATION WITH A 1.5mm IF THEY ARE AVAILABLE.
10. THIS PRODUCT MEETS EUROPEAN UNION DIRECTIVES AND OTHER COUNTRY REGULATION AS DESCRIBED IN GS-22-008.



FCIconnect.com

Copyright FCI

mat'l. code		surface ISO 406 ISO 7001	tolerance ISO 7001	projection 	product family QUICKIE
ltr	ec'n no	dr	date	tolerances unless otherwise specified	title QUICKIE SEAHORSE HEADER VERTICAL
v				angles linear XXX.X/XXX.03 XXX.X/XXX.03 0'±2'	INCH/MM scale 1:1
				dr M. CORNMAN 11/26/91	dwg no 66373
				engr M. SMIK 11/26/91	sheet 2 of 5 size A3
				chr M. SMYK 11/26/91	type Product Customer Drawing
				appd M. SMYK 11/26/91	
sheet	revision				
index	sheet				

form A3

PRODUCT NO. NOTE B	SIZE	DIM A	DIM B	DIM C	DIM D	DIM E	LATCHES NOTE 6	STYLE	RETENTIVE HOLES
66373-085 THRU 66373-100	UNAVAILABLE								
66373-101	2x5	1.260/32,000	.400/10,160	.720/18,290	1.100/27,940	.060/1,520	NO	A	YES
-102	2x7	1.460/37,080	.600/15,240	.920/23,370	1.300/33,020			C	
-103	2x8	1.560/39,620	.700/17,780	1.020/25,910	1.400/35,560			D	
-104	2x10	1.760/44,700	.900/22,860	1.220/30,990	1.600/40,640				
-105	2x13	2.060/52,320	1.200/30,480	1.520/38,610	1.900/48,260				
-106	2x17	2.460/62,480	1.600/40,460	1.920/48,770	2.300/58,420				
-107	2x20	2.760/70,100	1.900/48,260	2.220/56,290	2.600/76,040				
-108	2x25	3.260/82,800	2.400/60,960	2.720/69,090	3.100/78,740				
-109	2x30	3.760/95,500	2.900/73,660	3.220/81,790	3.600/91,440		NO	D	
-110	2x5	1.260/32,000	.400/10,160	.720/18,290	1.100/27,940		STD	A	
-111	2x7	1.460/37,080	.600/15,240	.920/23,370	1.300/33,020			C	
-112	2x8	1.560/39,620	.700/17,780	1.020/25,910	1.400/35,560			D	
-113	2x10	1.760/44,700	.900/22,860	1.220/30,990	1.600/40,640				
-114	2x13	2.060/52,320	1.200/30,480	1.520/38,610	1.900/48,260				
-115	2x17	2.460/62,480	1.600/40,460	1.920/48,770	2.300/58,420				
-116	2x20	2.760/70,100	1.900/48,260	2.220/56,290	2.600/76,040				
-117	2x25	3.260/82,800	2.400/60,960	2.720/69,090	3.100/78,740				
-118	2x30	3.760/95,500	2.900/73,660	3.220/81,790	3.600/91,440		STD	D	
-119	2x5	1.260/32,000	.400/10,160	.720/18,290	1.100/27,940		LP	A	
-120	2x7	1.460/37,080	.600/15,240	.920/23,370	1.300/33,020		LP	C	
-121	2x8	1.560/39,620	.700/17,780	1.020/25,910	1.400/35,560	.060/1,520	LP	D	
-122	2x10	1.760/44,700	.900/22,860	1.220/30,990	1.600/40,640	.060/1,520	LP	D	
-123	2x13	2.060/52,320	1.200/30,480	1.520/38,610	1.900/48,260				
-124	2x17	2.460/62,480	1.600/40,460	1.920/48,770	2.300/58,420				
-125	2x20	2.760/70,100	1.900/48,260	2.220/56,290	2.600/76,040				
-126	2x25	3.260/82,800	2.400/60,960	2.720/69,090	3.100/78,740				
-127	2x30	3.760/95,500	2.900/73,660	3.220/81,790	3.600/91,440		LP	D	
-128	2x5	1.260/32,000	.400/10,160	.720/18,290	1.100/27,940		NO	B	
-129	2x5	1.260/32,000	.400/10,160	.720/18,290	1.100/27,940		STD	B	
66373-130	2x5	1.260/32,000	.400/10,160	.720/18,290	1.100/27,940	.060/1,520	LP	B	YES



FCJconnect.com

Copyright FCJ

mat'l. code		surface ISO 1902		tolerance ISO 406 ISO 7001		projection 		product family QUICKIE	
ltr	ecn no	dr	date	tolerances unless otherwise specified		INCH/MM		title QUICKIE SEAHORSE HEADER VERTICAL	
v				angles	linear	scale 1:1		dwg no 66373	
				0'±2'				sheet 3 of 5 size A3	
				dr	M. CORNMAN	11/26/91		type Product Customer Drawing	
				engr	M. SMIK	11/26/91			
				chr	M. SMYK	11/26/91			
				appd	M. SMYK	11/26/91			
sheet	revision								
index	sheet								

PRODUCT NO. NOTE 8	SIZE	DIM A	DIM B	DIM C	DIM D	DIM E	LATCHES NOTE 6	STYLE	RETENTIVE HOLES
66373-131	2x5	1.260/32,000	.400/10,160	.720/18,290	1.100/27,940	.105/2,670	NO	A	YES
-132	2x7	1.460/37,080	.600/15,240	.920/23,370	1.300/33,020			C	
-133	2x8	1.560/39,620	.700/17,780	1.020/25,910	1.400/35,560			D	
-134	2x10	1.760/44,700	.900/22,860	1.220/30,990	1.600/40,640			D	
-135	2x13	2.060/52,320	1.200/30,480	1.520/38,610	1.900/48,260			D	
-136	2x17	2.460/62,480	1.600/40,460	1.920/48,770	2.300/58,420		NO	D	
-137	2x20	2.760/70,100	1.900/48,260	2.220/56,290	2.600/76,040		NO	D	
-138	2x25	3.260/82,800	2.400/60,960	2.720/69,090	3.100/78,740		NO	D	
-139	2x30	3.760/95,500	2.900/73,660	3.220/81,790	3.600/91,440		NO	D	
-140	2x5	1.260/32,000	.400/10,160	.720/18,290	1.100/27,940		STD	A	
-141	2x7	1.460/37,080	.600/15,240	.920/23,370	1.300/33,020			C	
-142	2x8	1.560/39,620	.700/17,780	1.020/25,910	1.400/35,560			D	
-143	2x10	1.760/44,700	.900/22,860	1.220/30,990	1.600/40,640				
-144	2x13	2.060/52,320	1.200/30,480	1.520/38,610	1.900/48,260				
-145	2x17	2.460/62,480	1.600/40,460	1.920/48,770	2.300/58,420				
-146	2x20	2.760/70,100	1.900/48,260	2.220/56,290	2.600/76,040				
-147	2x25	3.260/82,800	2.400/60,960	2.720/69,090	3.100/78,740				
-148	2x30	3.760/95,500	2.900/73,660	3.220/81,790	3.600/91,440		STD	D	
-149	2x5	1.260/32,000	.400/10,160	.720/18,290	1.100/27,940		LP	A	
-150	2x7	1.460/37,080	.600/15,240	.920/23,370	1.300/33,020			C	
-151	2x8	1.560/39,620	.700/17,780	1.020/25,910	1.400/35,560			D	
-152	2x10	1.760/44,700	.900/22,860	1.220/30,990	1.600/40,640				
-153	2x13	2.060/52,320	1.200/30,480	1.520/38,610	1.900/48,260				
-154	2x17	2.460/62,480	1.600/40,460	1.920/48,770	2.300/58,420				
-155	2x20	2.760/70,100	1.900/48,260	2.220/56,290	2.600/76,040				
-156	2x25	3.260/82,800	2.400/60,960	2.720/69,090	3.100/78,740				
-157	2x30	3.760/95,500	2.900/73,660	3.220/81,790	3.600/91,440	.105/2,670	LP	D	
-158	2x5	1.260/32,000	.400/10,160	.720/18,290	1.100/27,940	.105/2,670	NO	B	
-159	2x5	1.260/32,000	.400/10,160	.720/18,290	1.100/27,940	.105/2,670	STD	B	
-160	2x5	1.260/32,000	.400/10,160	.720/18,290	1.100/27,940	.105/2,670	LP	B	
-161	2x18	2.560/65,020	1.700/43,180	2.020/51,310	2.400/60,960	.060/1,520	NO	D	
-162						.060/1,520	STD		
-163						.060/1,520	LP		
-164						.105/2,670	NO		
-165						.105/2,670	STD		
66373-166	2x18	2.560/65,020	1.700/43,180	2.020/51,310	2.400/60,960	.105/2,670	LP	D	YES



FCJconnect.com

Copyright FCJ

mat'l. code		surface	tolerance	projection	product family
ISO 902		ISO 406	ISO 7001		QUICKIE
ltr	ecn no	dr	date	title	
V				QUICKIE SEAHORSE HEADER VERTICAL	
angles		linear	linear	INCH/MM	scale 1:1
0° ± 2'		XXX±.01/XXX.03	XXX±.006/XXX.013		
		XXX±.0020/XXX±0.0051			
dr	M. CORNMAN	11/26/91		dwg no	sheet 4 of 5 size
engr	M. SMIK	11/26/91		66373	A3
chr	M. SMYK	11/26/91			
appd	M. SMYK	11/26/91			
sheet	revision			type Product Customer Drawing	
index	sheet				

form A3

PRODUCT NO. NOTE 8	SIZE	DIM A	DIM B	DIM C	DIM D	DIM E	LATCHES NOTE 6	STYLE	RETENTIVE HOLES
66373-167	2x12	1.960/49,780	1.100/27.940	1.420/36.070	1.800/45.720	.060/1,520	NO	D	YES
-168	2x15	2.260/57,400	1.400/35.560	1.720/43.690	2.100/53.340	.060/1,520			
-169	2x22	2.960/75,180	2.100/53.340	2.420/61.470	2.800/71.120	.060/1,520			
-170	2x12	1.960/49,780	1.100/27.940	1.420/36.070	1.800/45.720	.105/2,670			
-171	2x15	2.260/57,400	1.400/35.560	1.720/43.690	2.100/53.340	.105/2,670			
-172	2x22	2.960/75,180	2.100/53.340	2.420/61.470	2.800/71.120	.105/2,670	NO		
-173	2x12	1.960/49,780	1.100/27.940	1.420/36.070	1.800/45.720	.060/1,520	STD		
-174	2x15	2.260/57,400	1.400/35.560	1.720/43.690	2.100/53.340	.060/1,520			
-175	2x22	2.960/75,180	2.100/53.340	2.420/61.470	2.800/71.120	.060/1,520			
-176	2x12	1.960/49,780	1.100/27.940	1.420/36.070	1.800/45.720	.105/2,670			
-177	2x15	2.260/57,400	1.400/35.560	1.720/43.690	2.100/53.340	.105/2,670			
-178	2x22	2.960/75,180	2.100/53.340	2.420/61.470	2.800/71.120	.105/2,670	STD		
-179	2x12	1.960/49,780	1.100/27.940	1.420/36.070	1.800/45.720	.060/1,520	LP		
-180	2x15	2.260/57,400	1.400/35.560	1.720/43.690	2.100/53.340	.060/1,520			
-181	2x22	2.960/75,180	2.100/53.340	2.420/61.470	2.800/71.120	.060/1,520			
-182	2x12	1.960/49,780	1.100/27.940	1.420/36.070	1.800/45.720	.105/2,670			
-183	2x15	2.260/57,400	1.400/35.560	1.720/43.690	2.100/53.340	.105/2,670			
-184	2x22	2.960/75,180	2.100/53.340	2.420/61.470	2.800/71.120	.105/2,670	LP	D	YES
-201	2x5	1.260/32.00	.400/10.16	.720/18.29	1.100/27.94	.060/1,520	NO	A	NO
-204	2x10	1.760/44.70	.900/22.86	1.220/30.99	1.600/40.64	.060/1,520	NO	D	NO
-206	2x17	2.460/62.48	1.600/40.46	1.920/48.77	2.300/58.42	.060/1,520	NO	D	NO
-210	2x5	1.260/32.00	.400/10.16	.720/18.29	1.100/27.94	.060/1,520	STD	A	NO
-236	2x17	2.460/62.48	1.600/40.46	1.920/48.77	2.300/58.42	.105/2,670	NO	D	NO
66373-245	2x17	2.460/62.48	1.600/40.46	1.920/48.77	2.300/58.42	.105/2,670	STD	D	NO



FCJconnect.com

Copyright FCJ

mat'l. code		surface ISO 1302		tolerance ISO 406 ISO 7001		projection 		product family QUICKIE	
ltr	ecn no	dr	date	tolerances unless otherwise specified					
v				angles	linear	XX±.01/XX±.03	INCH/MM		title QUICKIE SEAHORSE HEADER VERTICAL
				0'±2'		XXX±.006/XXX±.013	scale 1:1		
				dr	M. CORNMAN	11/26/91			dwg no
				engr	M. SMIK	11/26/91			sheet 5 of 5 size
				chr	M. SMYK	11/26/91			66373 A3
				appd	M. SMYK	11/26/91			type Product Customer Drawing
sheet	revision								
index	sheet								

form A3